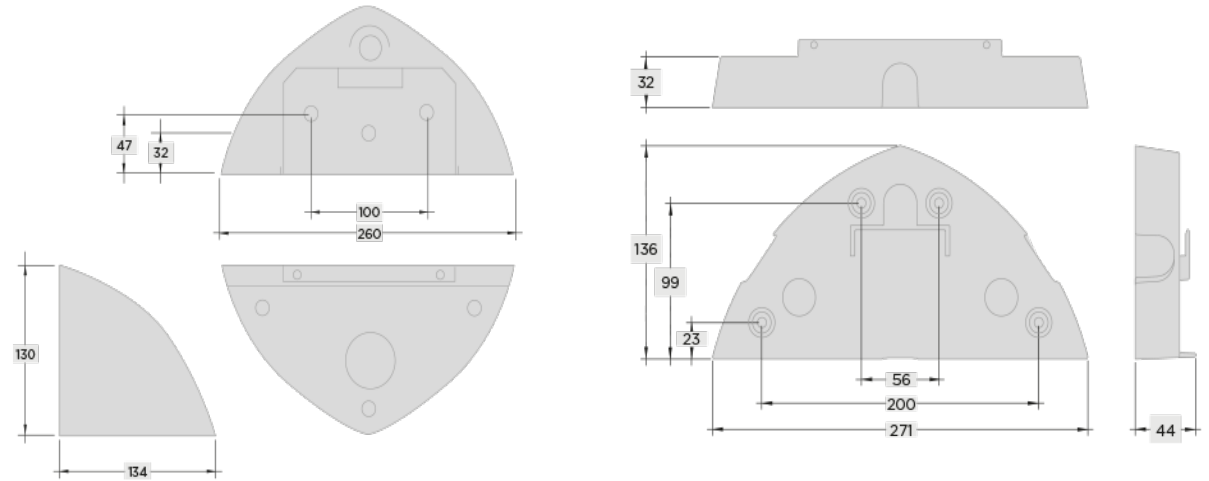


MF100



- IP66 IK10++
- 6 WARRANTY 1.5 KG
- 230v DALI
- NM/MM



- EN 60598-1
- EN60598-2-22
- EN55015
- EN61547
- EN61000-3-2

EXAMPLE PRODUCT CODE		MF	100	06	LM	W
FAMILY	MF100	MF				
PRODUCT	MF100	100				
WATTAGES	6W	06				
CONTROL GEAR	MAINS/CENTRAL BATTERY**	LA				
	MAINS/CENTRAL BATTERY DALI**	DA				
	MAINTAINED SELF-CONTAINED	LM				
	MAINTAINED AUTOTEST	YL				
	MAINTAINED DALI*	DL				
	MAINTAINED SPECTO-XT	XT				
COLOUR	GREY	G				
	BLACK	K				
	PENNY BRONZE	V				
	WHITE	W				
WALL BRACKET CODE:	MF100WBK					

Example Code MF10006LMW MF100 | 6W | Maintained Self-Contained | White

* Mains mode is not switchable via DALI command on 6W self-contained luminaires. DALI is for controlled testing and monitoring only. Please contact technical for more information.

For input voltages please refer to our installation leaflets. For more information on colours, please go to the **Finishes Page.

This product contains a light source of energy efficiency class B.

Mains operation output = 660lm Emergency operation output = 210lm