

## FEATURES

Control Gear	Operation	Supply voltage	Maximum luminaires on a Type B, 10A circuit breaker	Product Codes
Central Supply	Dependant on Central Battery System	198-264V AC 50/60 Hz 176-276V DC	80 Luminaires	TYKCRDCLA <sup>1</sup> TYKCRARLA TYKCRCPPLA TYKCRCNLA TYKCRSPLA
Central Supply DALI	Dependant on Central Battery System	198-264V AC 50/60 Hz 176-276V DC	80 Luminaires	TYKCRDCDA <sup>1</sup> TYKCRARDA TYKCRCPDA TYKCRCNDA TYKCRSPDA

<sup>1</sup>IP40 only

### Accessories (Ordered Separately)

IP65 BEZEL - WHITE RAL9016<sup>2</sup>

TYKIP001W

IP65 BEZEL - BLACK RAL9005<sup>2</sup>

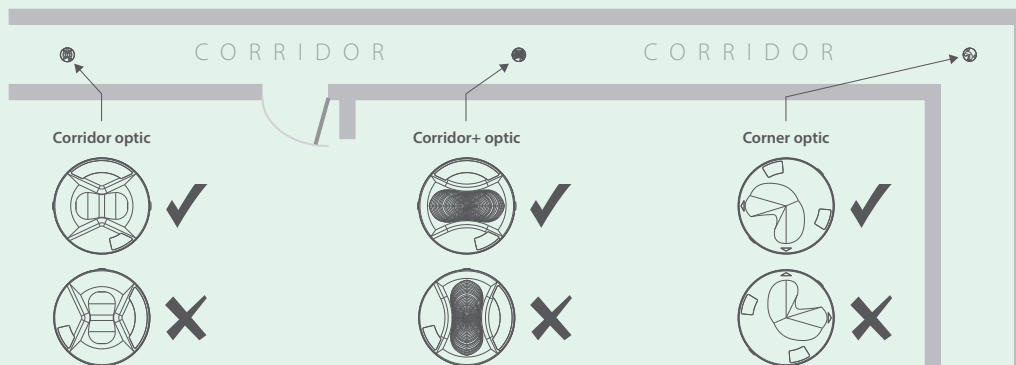
TYKIP001K

<sup>2</sup>IP40 with discreet lens

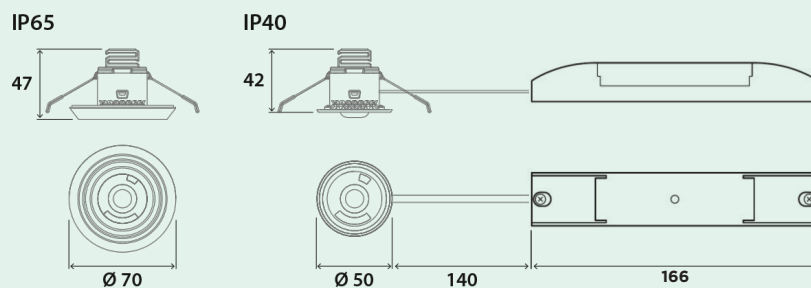
## IMPORTANT-SAFETY

Before carrying out any servicing on this luminaire, ensure that the mains supply is fully isolated. Disconnect luminaire before insulation testing of the installation.

## LENS ORIENTATION



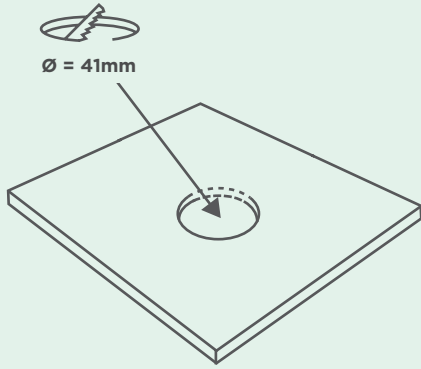
## LUMINAIRE DIMENSIONS



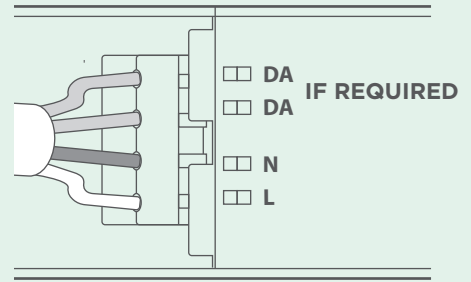
Cut-out - Ø41mm  
Minimum void depth - 160mm

INSTALLATION METHOD

1.

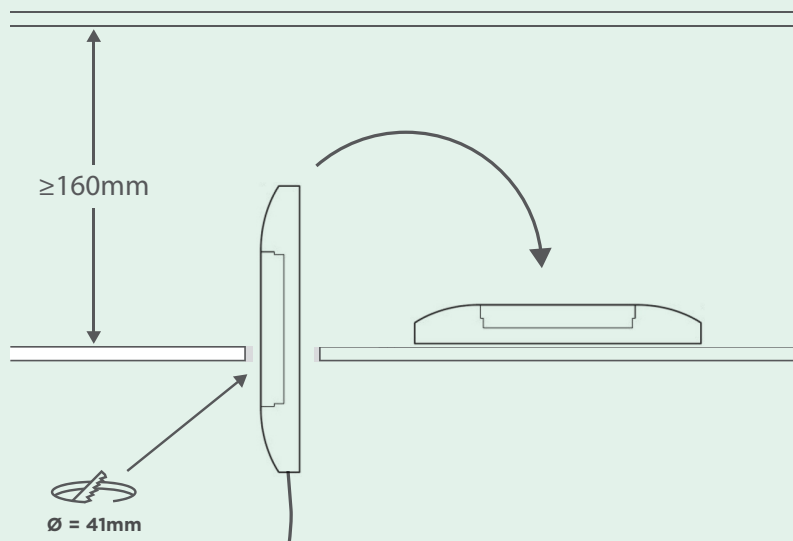


2.

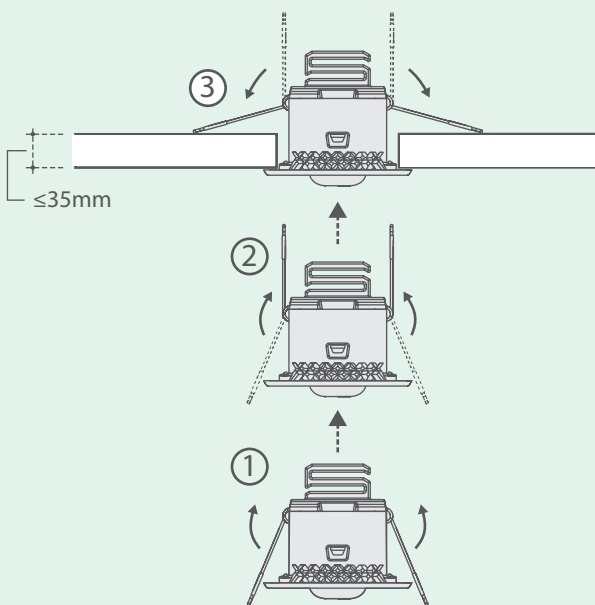


NOT SUITABLE FOR LOOPING IN AND OUT

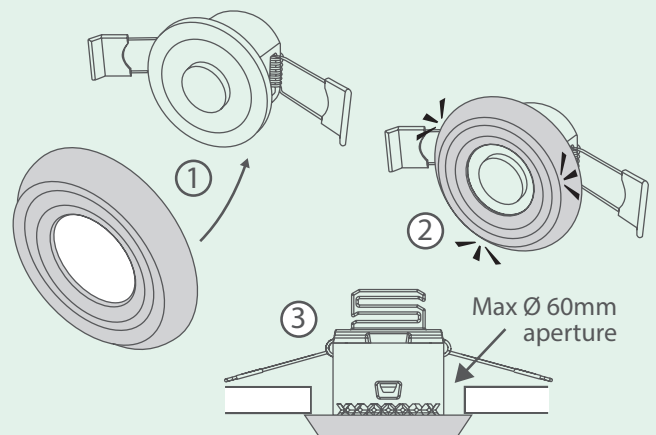
3.



4.



IP65 BEZEL ATTACHMENT



**WARNING**



Do not stare at operating lamp. It may be harmful to the eyes.

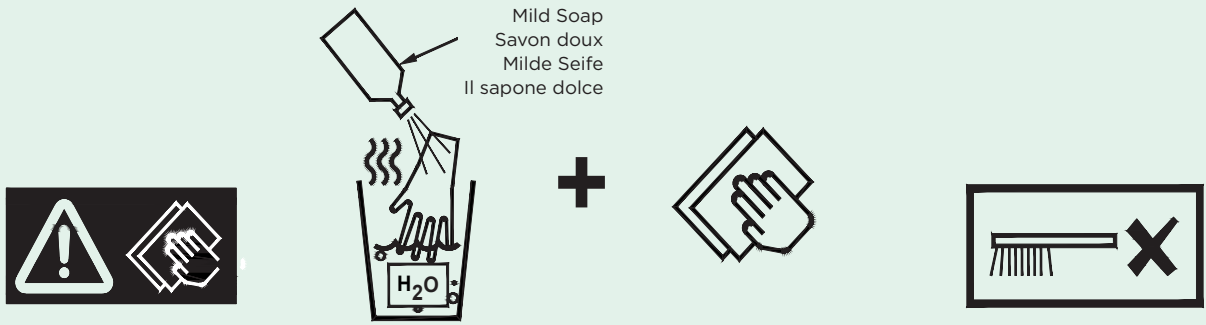
Fitting Reference:		Installation Date:										Location:
MONTH	TEST	EXAMPLE	1ST YEAR	2ND YEAR	3RD YEAR	4TH YEAR	5TH YEAR	6TH YEAR	7TH YEAR	8TH YEAR		
	1. Functional	PASSED										
	2. Functional	PASSED										
	3. Functional	PASSED										
	4. Functional	PASSED										
	5. Functional	PASSED										
	6. Functional	PASSED										
	7. Functional	FAILED- REPLACED LAMP HEAD										
	8. Functional	PASSED										
	9. Functional	PASSED										
	10. Functional	FAILED- REPLACED BATTERY										
	11. Functional	PASSED										
	12. 3-Hour Duration	PASSED										

Each month, or more frequently if a fault is identified, we recommend the installation is checked for status of L.E.D.'s. Corrective action if necessary should be taken and recorded on the above form.

Follow good practice as laid down in relevant legislation such as BS 5266.

TO RESET AFTER A FAULT - SWITCH LUMINAIRE UNSWITCHED  
 MAINS OFF / ON.  
 SLOW RED LED FLASHING = BATTERY FAULT  
 PERMANENT RED LED = LAMP FAULT

CLEANING INSTRUCTIONS



INFORMATION

**Operation and Maintenance**

Continual operation at mains voltages in excess of the rated voltage will reduce LED and expected gear life.

This luminaire uses plastic components in its construction and when installed in environments containing chemicals, degradation may occur.

Operation outside intended / stated parameters may cause a hazard, and in an extreme case, for example water ingress to electronic circuits, may cause a fire.

Please contact our Technical Department for advice.

**Modifications**

Philip Payne products should not be modified.

Any modification may render the product unsafe and will invalidate any Safety/Approval marks.

Philip Payne will not accept any responsibility for any modified products or for any damage caused as a result of their modification.

**Monthly and Annual Tests**

Monthly and Annual tests should be carried out in accordance with BS EN 50172:2004, 7.2.

Testing can be carried out by using a sub circuit isolator or by switching off the lighting circuit at the circuit breaker (not for AutoTest or DALI versions).

Battery pack shall be replaced if the specified 3 hour duration is not met.

For replacement battery pack contact Philip Payne Ltd.

The light source contained in this luminaire shall only be replaced by the manufacturer or his service agent or a similar qualified person.



Philip Payne Limited, Thornhill House, Thornhill Road, Solihull, B91 2HB  
+44 (0)121 705 2384 | sales@philippayne.co.uk | www.philippayne.co.uk

