

# OLTON RECESSED WALL



IP20 WARRANTY

26m 1.5

230v DALI

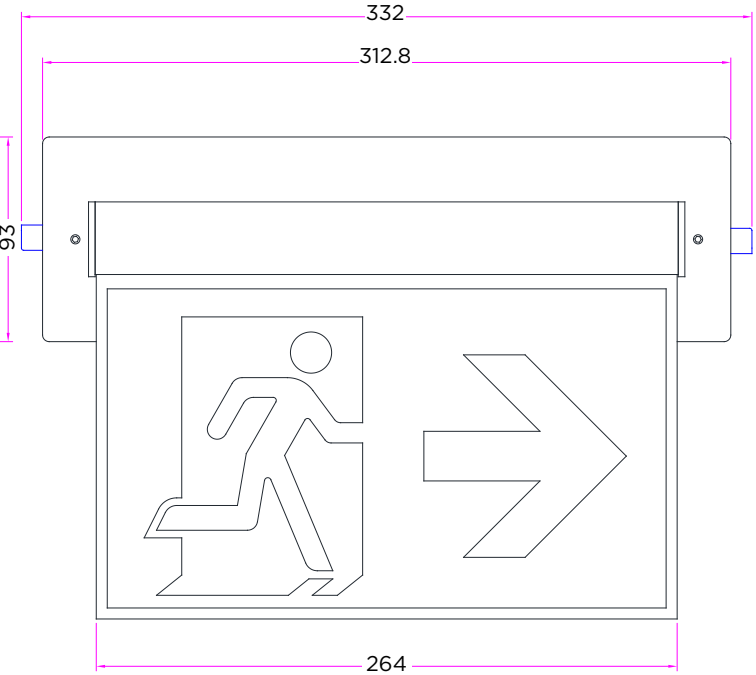
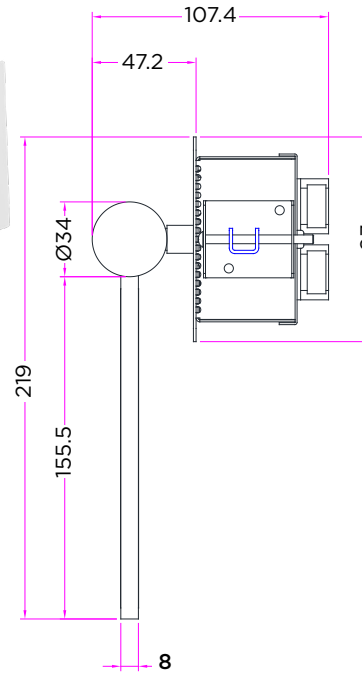
NM/MM

1W

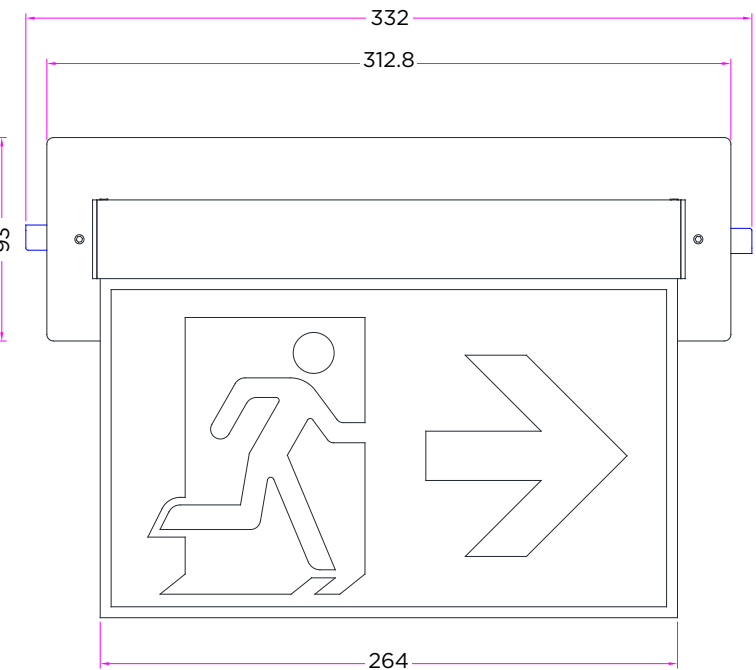
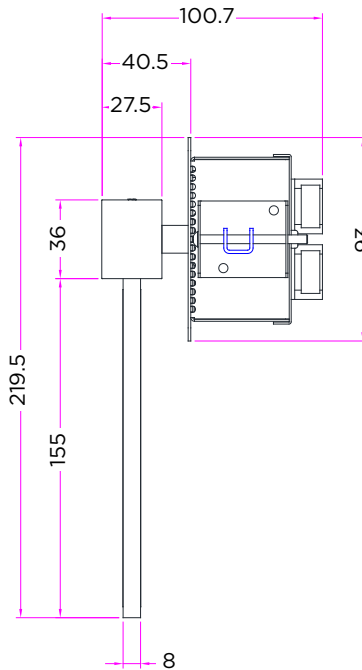


- EN 60598-1
- EN60598-2-22
- EN55015
- EN61547
- EN61000-3-2

## CYLINDER



## SQUARE



# OLTON RECESSED CEILING

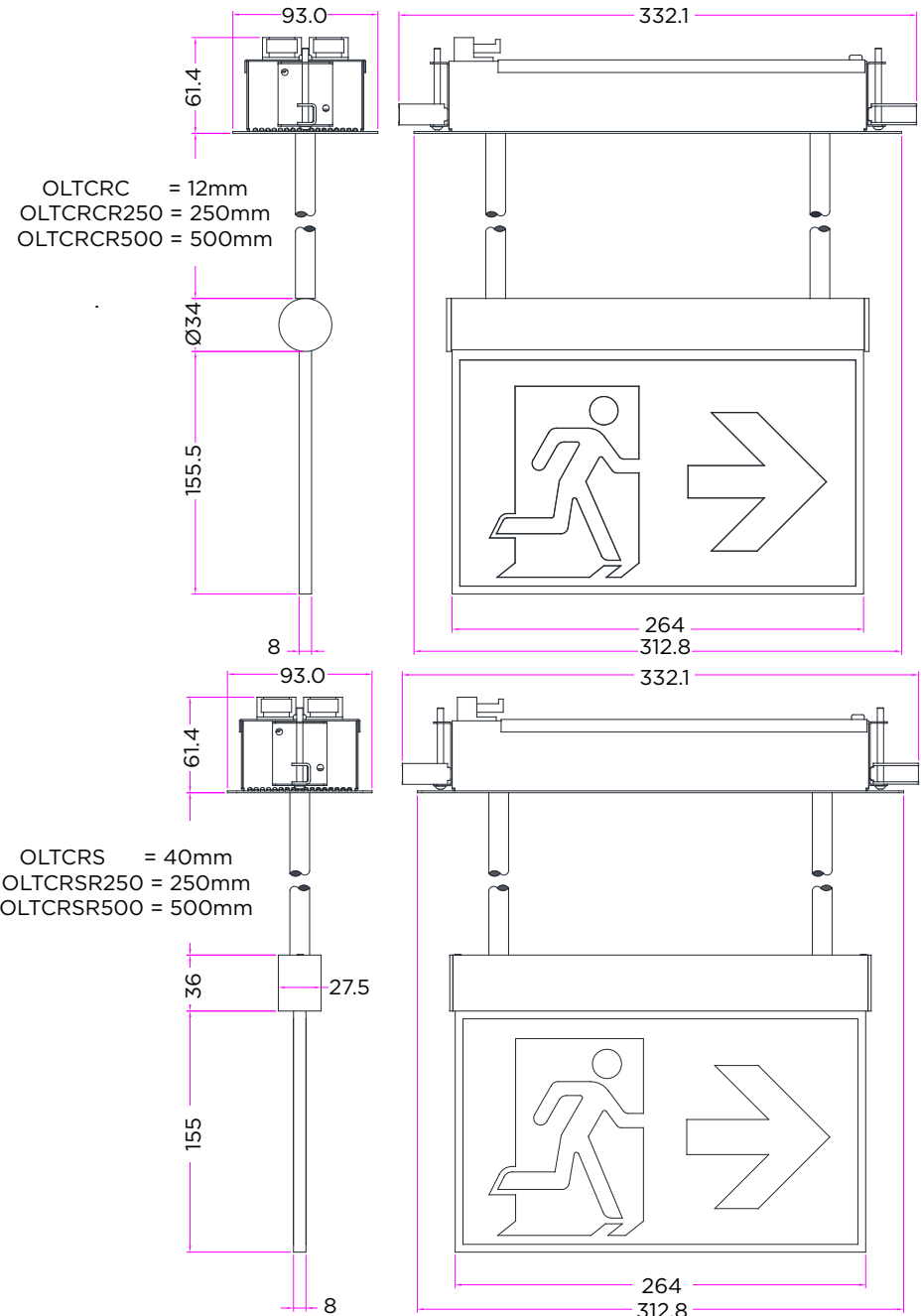


- EN 60598-1
- EN60598-2-22
- EN55015
- EN61547
- EN61000-3-2

## CYLINDER



## SQUARE



# OLTON RECESSED



- EN 60598-1
- EN60598-2-22
- EN55015
- EN61547
- EN61000-3-2

EXAMPLE PRODUCT CODE		OLT	C	R	C	R	500	DL	W	IS	S	U
<b>FAMILY</b>	OLTON	OLT										
<b>TYPE</b>	CEILING	C										
	WALL	W										
<b>MOUNT</b>	RECESSED	R										
<b>PROFILE</b>	CYLINDER	C										
	SQUARE	S										
<b>VERSION<sup>2</sup></b>	ROD SUSPENDED	R										
<b>LENGTH<sup>2</sup></b>	250mm LENGTH	250										
	500mm LENGTH	500										
<b>CONTROL</b>	MAINS/CENTRAL BATTERY <sup>1</sup>	LA										
	DALI MAINS/CENTRAL BATTERY <sup>1</sup>	DA										
	MAINTAINED SELF-CONTAINED	LM										
	DALI MAINTAINED SELF CONTAINED	DL										
	SPECTO-XT MAINTAINED SELF CONTAINED	XT										
<b>COLOUR</b>	WHITE (RAL 9016)	W										
	BLACK (RAL9005)	K										
	GREY (RAL 9006)	G										
	PENNY BRONZE	V										
	POLISHED BRASS	B										
	POLISHED CHROME	C										
	ANTIQUE BRASS	E										
	SATIN CHROME	R										
<b>LEGEND TYPE</b>	ISO 7010	IS										
<b>LEGEND SIDE</b>	SINGLE SIDED	S										
	DOUBLE SIDED	D										
<b>ARROW DIRECTION</b>	UP	U										
	DOWN	D										
	LEFT	L										
	RIGHT	R										

Example Code OLTCCR500DLWISSU Olton | Ceiling | Recessed | Cylinder | Rod Suspended | 500mm Length | DALI Maintained Self Contained | White (RAL 9016) | ISO 7010 | Single Sided | Up Arrow

For more information on colours, please go to the **Finishes Page**.

<sup>1</sup>For input voltages please refer to our installation leaflets.

<sup>2</sup>For ceiling suspended fittings only. For any rod length over 500mm please contact the sales team.